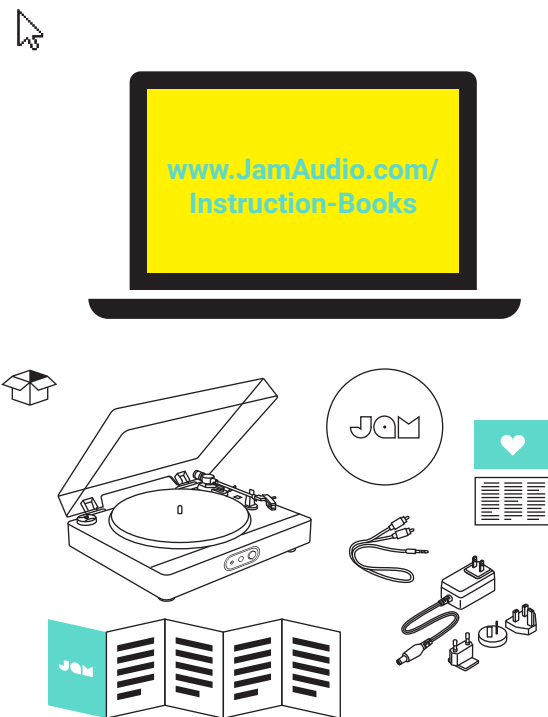


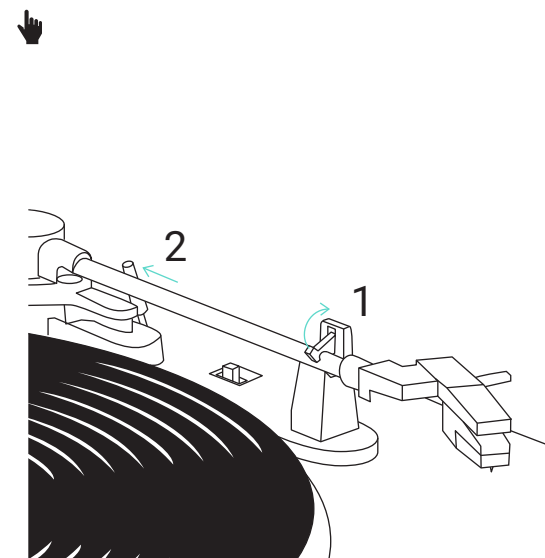
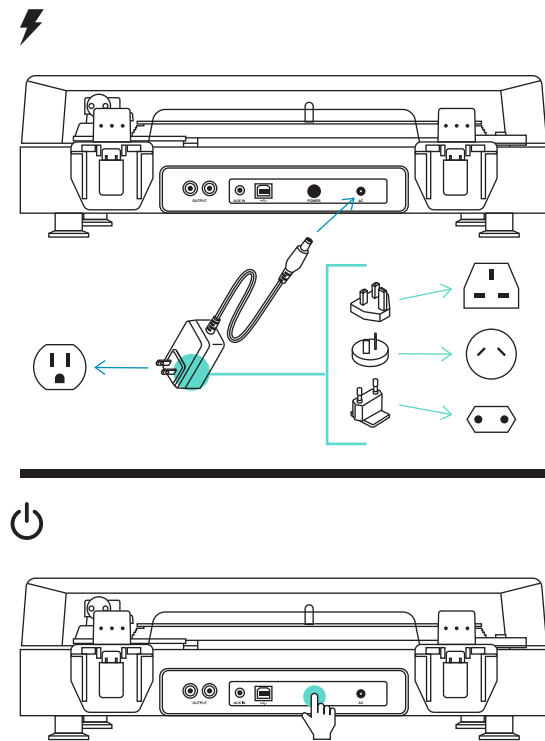
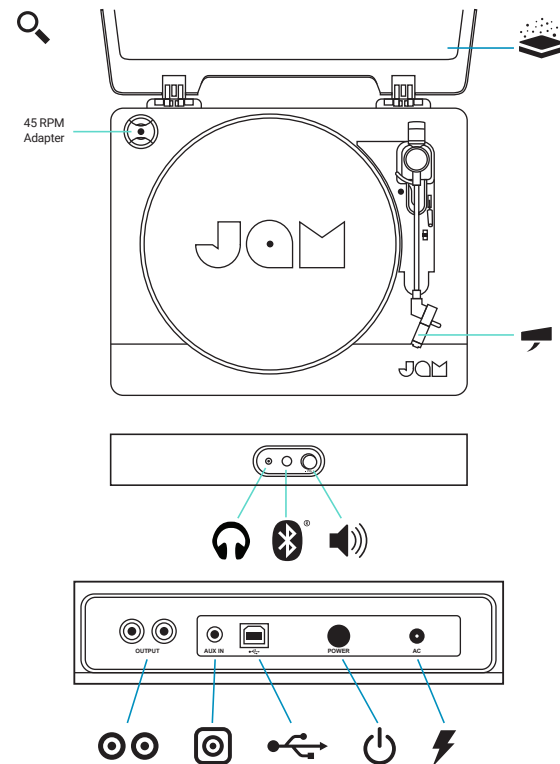
JAM™

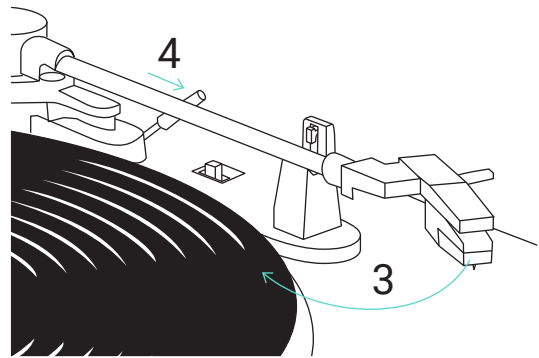
BLUETOOTH® SOUND STREAM+

HX-TT700
Quick-Start Guide
Guide de démarrage rapide
Guía de inicio rápido
Schnellstartanleitung
Guida rapida

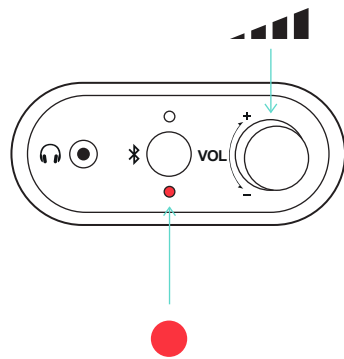


QS-HXTT700 © 2021 JAM. All Rights Reserved. Jam is trademark of HMDX. / Tous droits réservés / Todos derechos reservados / Alle Rechte vorbehalten / Tutti i diritti riservati





PLAY THROUGH IN-BUILT SPEAKERS



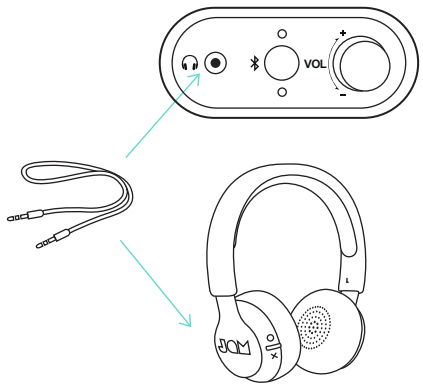
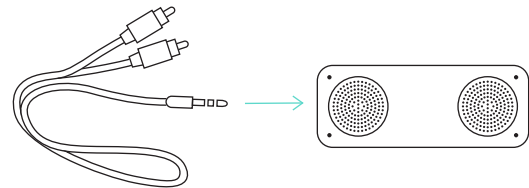
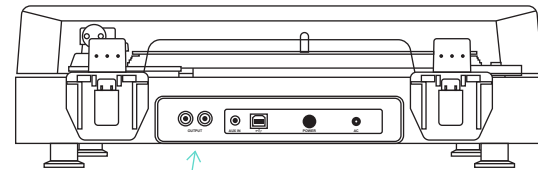
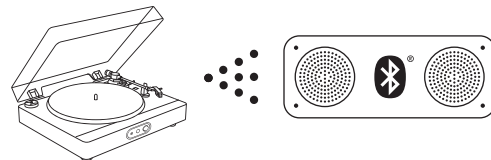
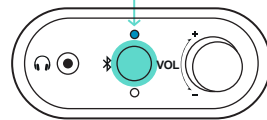
Bottom LED is RED. Select speed and good to go. Then just volume to adjust sound level



Searching for speaker (flashing blue)



Connected to speaker (solid blue)



USB TO PC RECORDING

Download Full instruction for the Audacity Software at: <http://www.audacityteam.org/download/>

- Connect the Turntable and the computer via the provided USB cable.
- Follow the instruction of the software installation steps and operation interface.